

* = Optional air inlet $\varnothing 125$ mm rear side
 ** = Optional air inlet $\varnothing 125$ mm bottom side

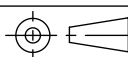


Barbas - Hallenstraat 17
 5531 AB Bladel - Netherlands
 Tel. +31 (0) 497 33 92 00
 Fax. +31 (0) 497 33 92 10
 Email: info@barbas.com

Name: **Unilux-6 265 Left built-in frame**

Modifications reserved

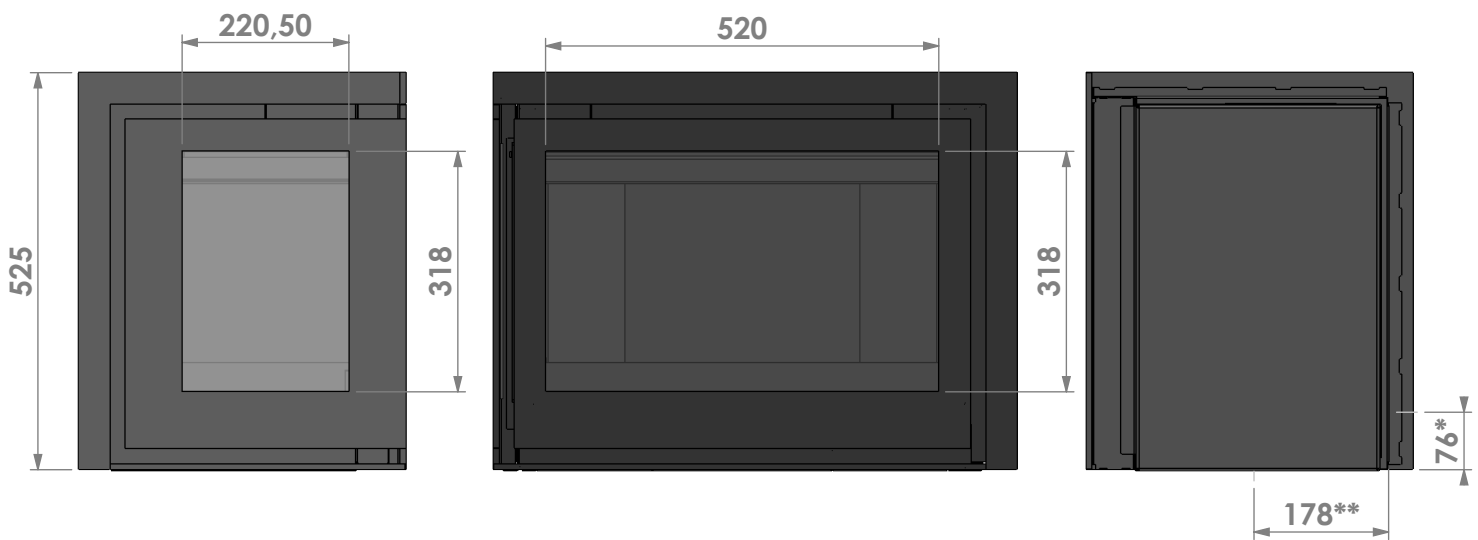
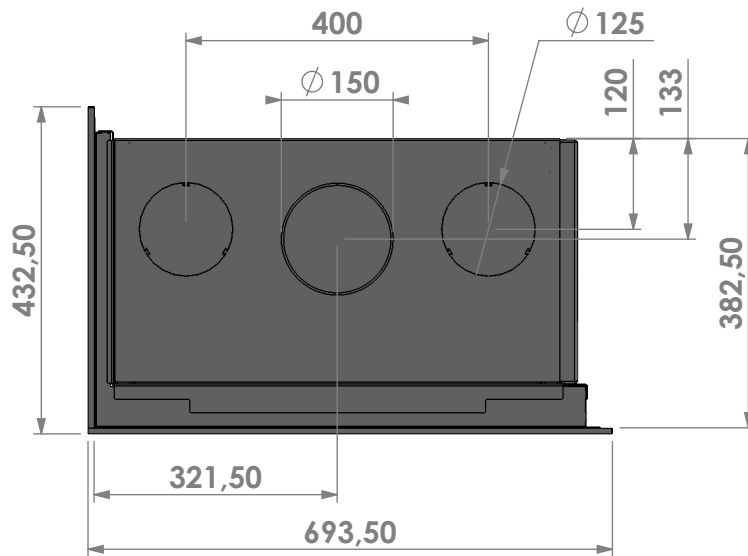
Projection: American



Scale: 1:10

Unit: mm

Version: 0



* = Optional air inlet \varnothing 125 mm rear side
 ** = Optional air inlet \varnothing 125 mm bottom side

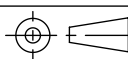


Barbas - Hallenstraat 17
 5531 AB Bladel - Netherlands
 Tel. +31 (0) 497 33 92 00
 Fax. +31 (0) 497 33 92 10
 Email: info@barbas.com

Name: **Unilux-6 265 Left classic frame**

Modifications reserved

Projection: American



Scale: 1:10

Unit: mm

Version: 0